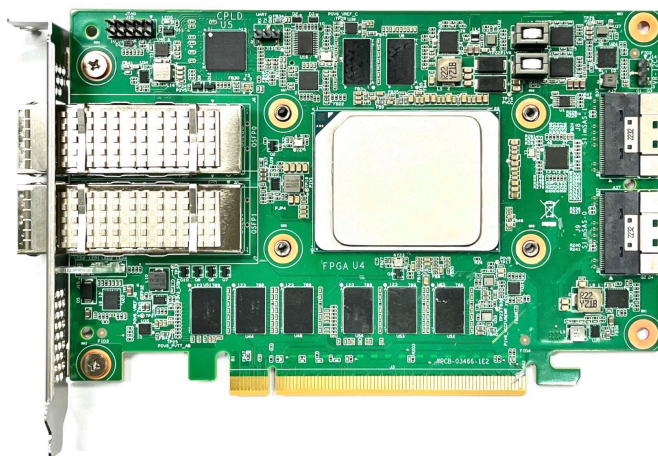


WISEWAVE®

WD200 SF

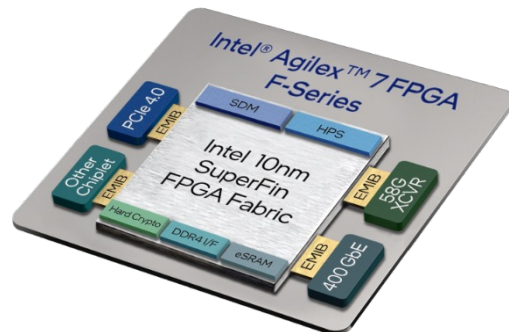
PCIe FPGA Card
For Networking, Storage



Agilex™ FPGA card with PCIe Gen4 x16

200Gbps with up to 16GBBytes DDR4 SDRAM

Wisewave's WD200SF is an Intel® Agilex™-based FPGA card designed to deliver next generation performance for data center, networking and storage. The NIC-sized card provides a balance of I/O and memory using the Agilex chip's unique tiling architecture for diverse applications. The card also supports shell while customer just need to develop role, which enables an abstracted development flow for dramatically simplified code re-use across multiple architectures.



key features

2*QSFP28
for 2*100G

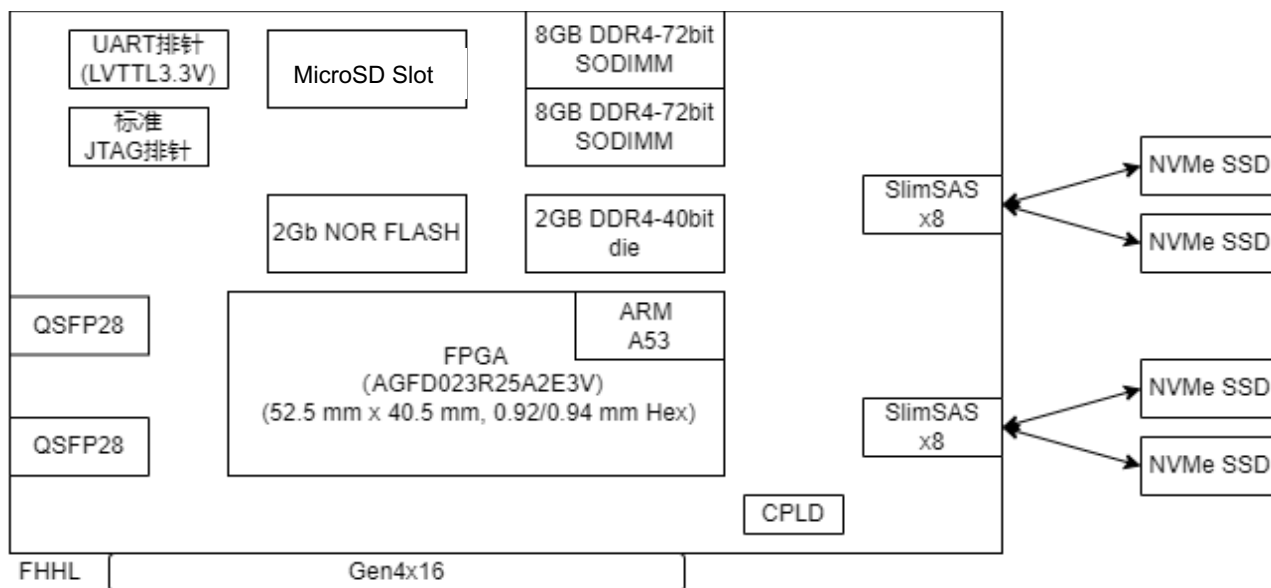
2*SlimSASx8
for 4x NVME drives

PCIe Gen4
x16

Intel Agilex™ FPGA
with up to **2.3M**
Logic Elements

16G DDR4
With 72-bit

Board Shell
Including FW & SW



Board Specifications

FPGA	<ul style="list-style-type: none"> Agilex™ 7 FPGA F-Series 023 R25A AGFB023R25A2E3V Core speed grade -3: I/O speed grade -3 	Board Management Controller	<ul style="list-style-type: none"> Voltage, current, temperature monitoring Power sequencing and reset Field upgrades 	
On-board Flash	<ul style="list-style-type: none"> 2Gbit Flash memory for booting FPGA and SOC ARM 		<ul style="list-style-type: none"> FPGA configuration and control Clock configuration Low bandwidth BMC-FPGA comms with SM-Bus link 	
FPGA memory	<ul style="list-style-type: none"> 2x banks on-board DDR4-2400, 8GB per bank with 72-bit, 16GB total 		<ul style="list-style-type: none"> Voltage overrides 	
ARM memory	<ul style="list-style-type: none"> DDR4 2GB 40-bit 		Cooling	<ul style="list-style-type: none"> Standard: single-slot passive heatsink
Host interface	<ul style="list-style-type: none"> x16 Gen4 interface direct to FPGA, connected to PCIe hard IP 		Electrical	<ul style="list-style-type: none"> On-board power derived from PCIe slot Power dissipation is application dependent Typical power consumption 60W
QSFP28 cages for 2*100G Port	<ul style="list-style-type: none"> QSFP28 cage on front panel connected directly to FPGA via 8 transceivers User programmable low jitter clocking supporting 10/25/40/100GbE Jitter cleaner for network recovered clocking 	Environmental	<ul style="list-style-type: none"> Operating temperature: 0°C to 85°C 	
MicroSD Slot	<ul style="list-style-type: none"> For FPGA version update 	Quality	<ul style="list-style-type: none"> Manufactured to IPC-A-610 Class 2 RoHS compliant 	
JTAG Pin	<ul style="list-style-type: none"> DIP10 	Form factor	<ul style="list-style-type: none"> Low profile (full-height, half-length) PCIe slot card Size: 165mm x 97.9mm x 17mm / 6.50in x 3.85in x 0.63in 	
UART Pin	<ul style="list-style-type: none"> SIP3 			

Board Shell / BSP

FPGA Component Netlist	IO interface including PCIe, SlimSaS and Ethernet port Basic flow: DMA, NVMe Protocol: AES256-XTS, RDMA
Software	Firmware Load Host Management Firmware update Golden Image

To learn more, visit www.WisewaveTech.com

Rev 2023.04.26 | April 2023

© Wisewave 2023

Agilex is a trademark of Intel Corp. All other products are the trademarks or registered trademarks of their respective holders.

Intel® Partner Alliance

WISE WAVE®

ADDR : Macao Youth Entrepreneurship Valley 17 Building D
 No. 1889, Huandao East Road, Hengqin, Zhuhai, Guangdong Province, China
 MAIL : sales@wisewavetech.com
 TEL : 0756-8822800

Wisewave Technology Co., Ltd.